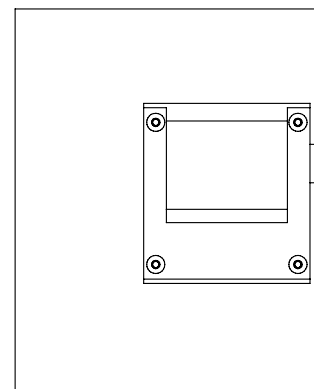
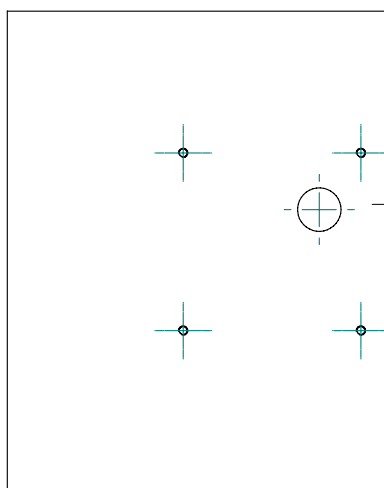


Outside



Inside

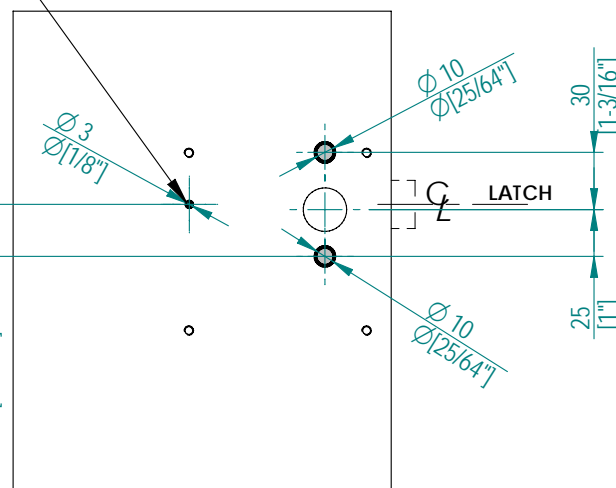


Inside

**ORIGINAL
 SAFE-O-TRONIC® CUT**

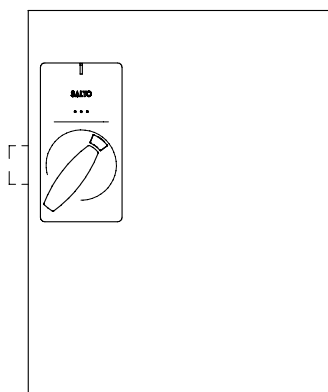


7 mm [1/4"] deep, Hole only inside.
 Agujero solo por el interior. 7 mm de prof.
 Trou de 7 mm profondeur par l'interieur.
 7mm tiefe Lochung nur innen.

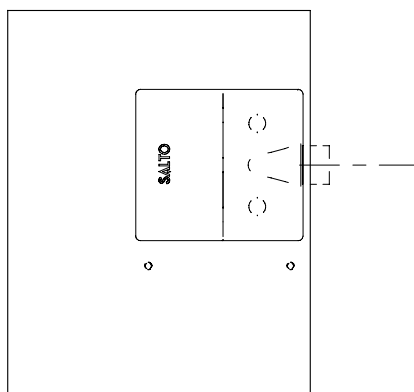


Inside

**MECHANISED
 FOR SALTO**



Outside



Inside

**NOT FOR
 PUBLIC RELEASE**